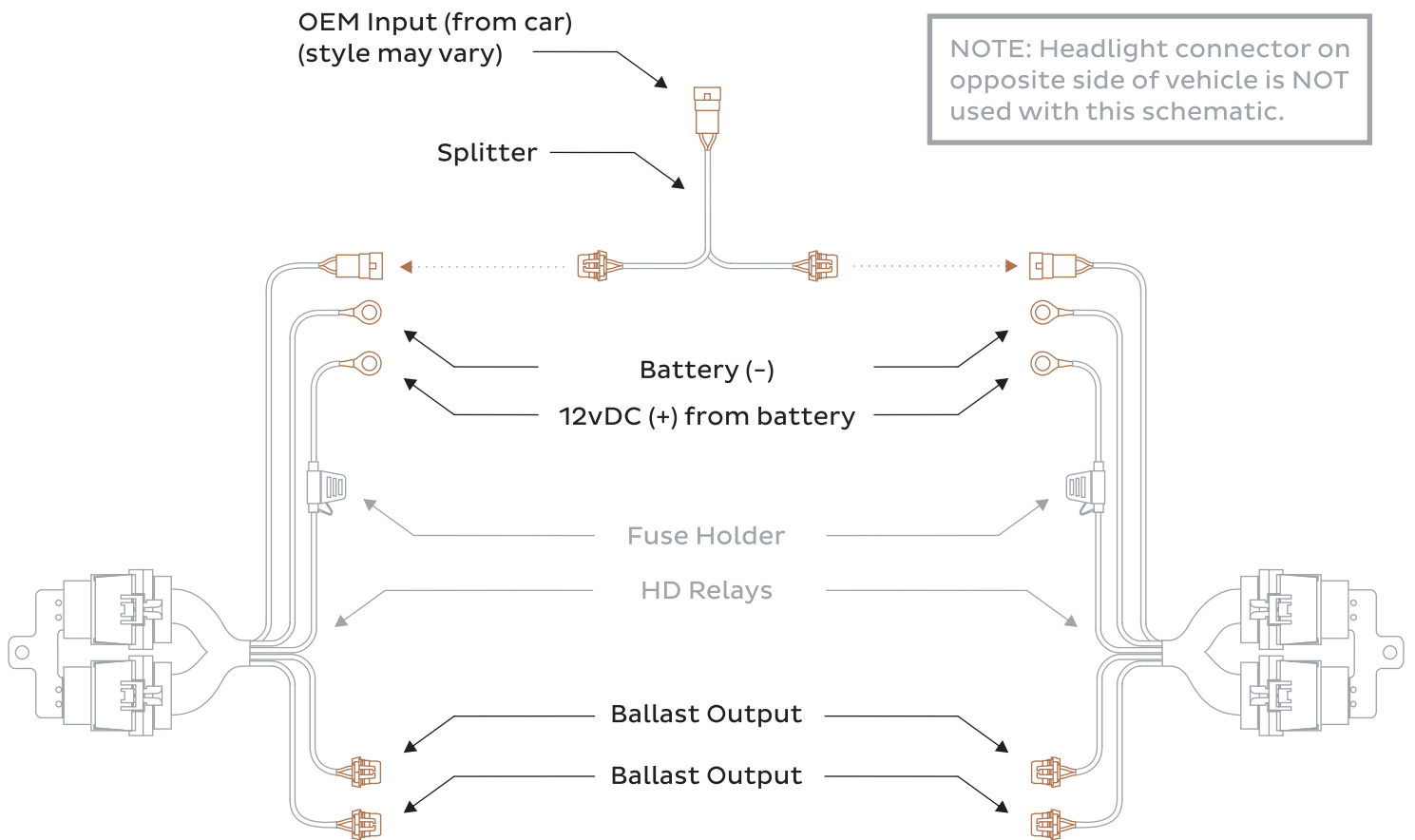


SCHEMATIC - QUAD PROJECTOR RETROFIT

FOR LOW BEAMS (POWERS FOUR BALLASTS SIMULTANEOUSLY)



FOR HIGH BEAMS (FOR FOUR HIGH BEAMS SIMULTANEOUSLY)

