



BOOST BAR LICENSE PLATE LIGHT INSTALL GUIDE

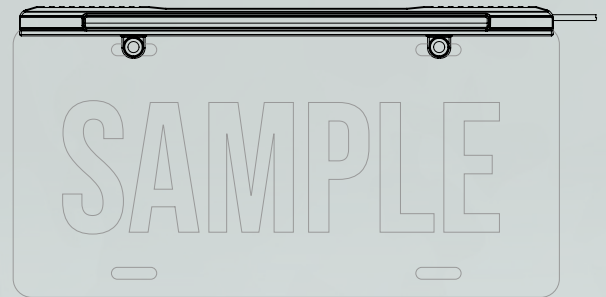
WARNING: By reading this document, you agree it is only to be used as an educational guide. Morimoto Lighting nor its dealers make guarantees on any finished results, nor are they to be held responsible for any damage, misuse, or personal injuries. If you are unable to clearly understand and adapt the information below, professional installation is recommended.

PACKAGE CONTENTS

- 1x Boost Bar License Plate Light
- 1x Input Pigtail
- 1x Double Wire T-Tap

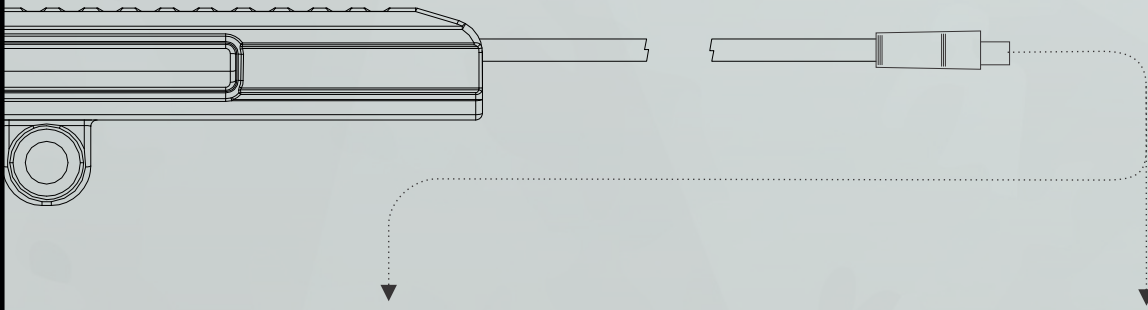
TOOLS REQUIRED (NOT INCLUDED)

- Needlenose Pliers (for wire tap)



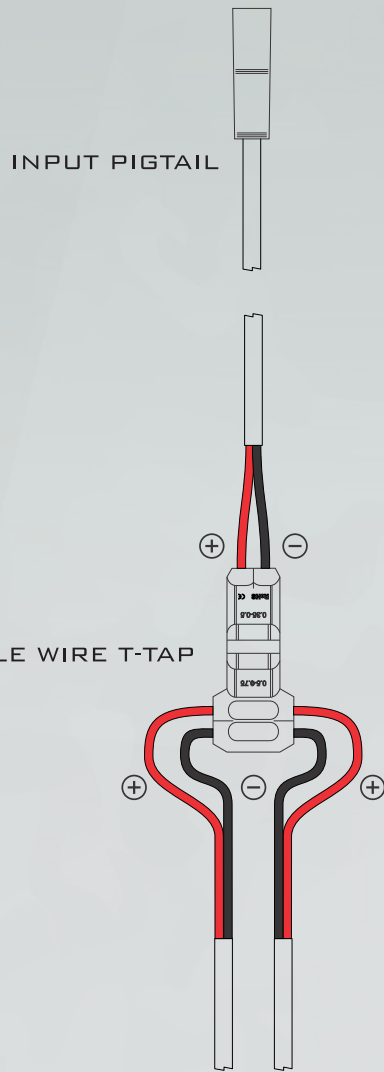
INSTALLATION PROCESS

BOOST BAR



OPTION A

TAP INTO STOCK WIRING



FACTORY REVERSE LIGHT WIRING
(USE MULTIMETER OR VOLTMETER
TO DETERMINE POLARITY)

OPTION B

DIRECT CONNECTION
TO COMPATIBLE
MORIMOTO XB LED TAIL LIGHTS

